



MICRO-TRONICS, INC.

2905 S POTTER DRIVE
TEMPE, AZ 85282

www.micro-tronics.com
t: (602) 437-8995
f: (602) 431-9480

MARK TRAVIS
PRESIDENT

KEVIN ELLIS
OPERATIONS MANAGER

ART SCHNEIDER
QUALITY MANAGER

Micro-Tronics, Inc. prides itself in its response to your needs utilizing multiple shifts for just-in-time deliveries, ship-to-stock and complete project management.

We stand behind our work by delivering quality parts on time and at a fair price. Contact us today to discuss your precision manufacturing needs.

CERTIFICATIONS

AS9100 Revision D
ISO 9001:2015
NADCAP - Nonconventional Machining
NADCAP - Elastomer Seals
ITAR Compliant

PRIMARY NAICS CODES

336413
Aircraft assemblies, subassemblies, and parts (except engines) manufacturing

336415
Propulsion units and parts, guided missile and space vehicle, manufacturing

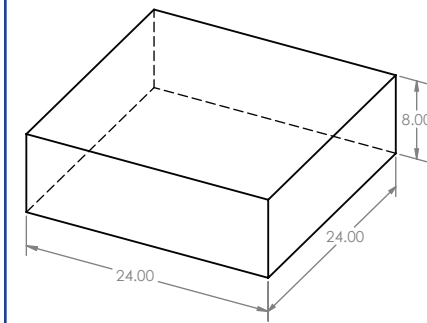
336419
Guided missile and space vehicle parts (except engines) manufacturing

326291
Rubber goods, mechanical (molded), manufacturing

332710
Machine shops primarily engaged in machining metal on a job or order basis.

RUBBER MOLDING

WORK ENVELOPE



MATERIALS

- Silicone (low and high temperature)
- Fluorosilicone
- Fluorocarbon
- Neoprene
- Buna N
- EPDM
- Kapton

FEATURES

- 30 Ton - 400 Ton
- Vacuum Press
- Rubber to metal
- Multi - Cavity Tools
- In-House Tooling Capability

Along with Micro-Tronics' ability to mold fabric reinforced elastomer diaphragms, we are also very proficient at bonding elastomer to metal components in a wide array of sizes and shapes. This includes metal components with a seal bead such as Seal Plates, Butterfly Valves; and products that are either fully or partially encapsulated, such as Vibration Isolators and Gaskets. Micro-Tronics also molds solid elastomer products such as Bumpers, Tubes, Boots, and Caps.

The work envelope is dependent on the product configuration but with compression presses ranging in size from 30-ton to 400-ton, and platen sizes up to 24-inches square we have the capability to process most elastomer products within that work envelope.

ASSEMBLY

Offering sophisticated, multi-level mechanical assembly and sub-assembly services utilizing a variety of fastening methods, including riveting, swaging, RTV bonding and verification testing to customer specifications.

LASER PART MARKING

Offering laser part marking on steel, stainless steel, aluminum, brass, copper, magnesium, plastic and more.

SUPPLIERS / VENDORS

In addition to all of our in house processes, Micro-Tronics works with a wide range of highly qualified and certified vendors to satisfy any requirements typical in aerospace manufacturing:

Cleaning.....	5 vendors
Grinding.....	6 vendors
Heat Treat.....	2 vendors
Parts Suppliers / Machining.....	22 vendors
Marking.....	1 vendor
Material.....	59 vendors
NDT.....	5 vendors
Paint / Plating.....	6 vendors
Weld.....	4 vendors



MICRO-TRONICS, INC.

2905 S POTTER DRIVE
TEMPE, AZ 85282

www.micro-tronics.com
t: (602) 437-8995
f: (602) 431-9480

MARK TRAVIS
PRESIDENT

KEVIN ELLIS
OPERATIONS MANAGER

ART SCHNEIDER
QUALITY MANAGER

Micro-Tronics, Inc. prides itself in its response to your needs utilizing multiple shifts for just-in-time deliveries, ship-to-stock and complete project management.

We stand behind our work by delivering quality parts on time and at a fair price. Contact us today to discuss your precision manufacturing needs.

CERTIFICATIONS

AS9100 Revision D
ISO 9001:2015
NADCAP - Nonconventional Machining
NADCAP - Elastomer Seals
ITAR Compliant

PRIMARY NAICS CODES

336413
Aircraft assemblies, subassemblies, and parts (except engines) manufacturing

336415
Propulsion units and parts, guided missile and space vehicle, manufacturing

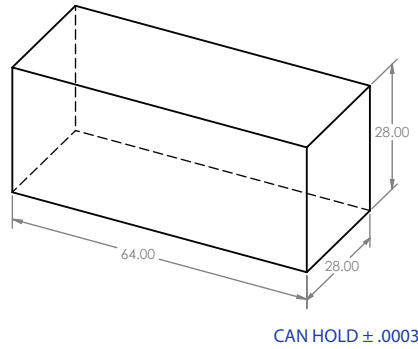
336419
Guided missile and space vehicle parts (except engines) manufacturing

326291
Rubber goods, mechanical (molded), manufacturing

332710
Machine shops primarily engaged in machining metal on a job or order basis.

3/4 AXIS CNC MILLING

WORK ENVELOPE



MATERIALS

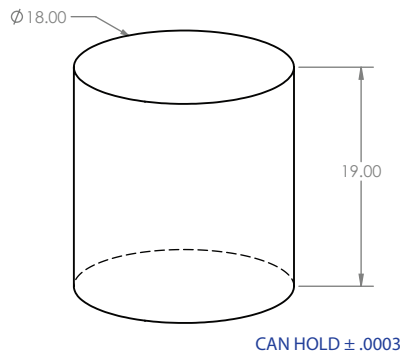
- Aluminum
- Stainless Steel
- Tool Steel
- Titanium
- Cobalt
- Nickel
- Plastic

FEATURES

- Tombstone Pallet system

5 AXIS CNC MILLING

WORK ENVELOPE



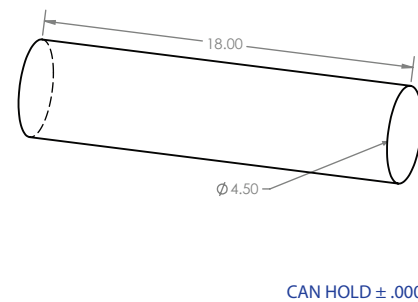
MATERIALS

- Aluminum
- Stainless Steel
- Tool Steel
- Titanium
- Cobalt
- Nickel
- Plastic

FEATURES

CNC LATHE

WORK ENVELOPE



MATERIALS

- Aluminum
- Stainless Steel
- Tool Steel
- Titanium
- Cobalt
- Nickel
- Plastic

FEATURES

- Bar Feed
- Sub Spindle
- C Axis
- Y Axis



MICRO-TRONICS, INC.

2905 S POTTER DRIVE
TEMPE, AZ 85282

www.micro-tronics.com
t: (602) 437-8995
f: (602) 431-9480

MARK TRAVIS
PRESIDENT

KEVIN ELLIS
OPERATIONS MANAGER

ART SCHNEIDER
QUALITY MANAGER

Micro-Tronics, Inc. prides itself in its response to your needs utilizing multiple shifts for just-in-time deliveries, ship-to-stock and complete project management.

We stand behind our work by delivering quality parts on time and at a fair price. Contact us today to discuss your precision manufacturing needs.

CERTIFICATIONS

AS9100 Revision D
ISO 9001:2015
NADCAP - Nonconventional Machining
NADCAP - Elastomer Seals
ITAR Compliant

PRIMARY NAICS CODES

336413
Aircraft assemblies, subassemblies, and parts (except engines) manufacturing

336415
Propulsion units and parts, guided missile and space vehicle, manufacturing

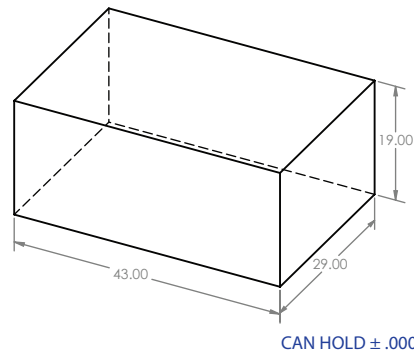
336419
Guided missile and space vehicle parts (except engines) manufacturing

326291
Rubber goods, mechanical (molded), manufacturing

332710
Machine shops primarily engaged in machining metal on a job or order basis.

CNC SINKER EDM

WORK ENVELOPE



MATERIALS

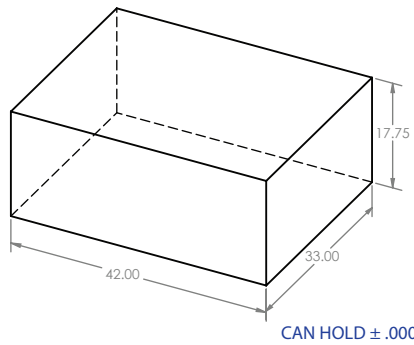
- Aluminum
- Stainless Steel
- Tool Steel
- Titanium
- Cobalt
- Rhenium
- Carbide
- Hasetlloy
- Inconel
- Titanium
- Anything Conductive

FEATURES

- 26 Sinker Machines

CNC WIRE EDM

WORK ENVELOPE



MATERIALS

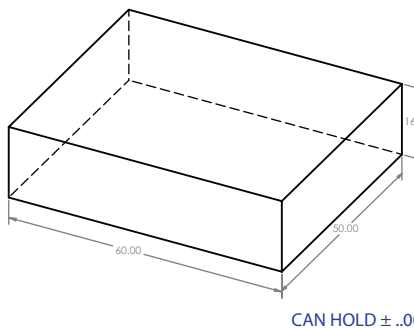
- Aluminum
- Stainless Steel
- Tool Steel
- Titanium
- Cobalt
- Rhenium
- Carbide
- Hasetlloy
- Inconel
- Titanium
- Anything Conductive

FEATURES

- 18 Wire Machines

CNC FAST HOLE EDM

WORK ENVELOPE



MATERIALS

- Aluminum
- Stainless Steel
- Tool Steel
- Titanium
- Cobalt
- Rhenium
- Carbide
- Hasetlloy
- Inconel
- Titanium
- Anything Conductive

FEATURES

- 7 Fast Hole Machines